

iBlaze

MX7000



**Revolutionary CO2
fractional laser**



iBlaze _____
CO2 FRACTIONAL LASER

**Intelligence and
versatility in one
single platform.**



contact@tentrek.com
www.tentrekusa.com

Copyright © 2022 Tentrek Lasers. All rights reserved



Unparalleled precision and medical innovation

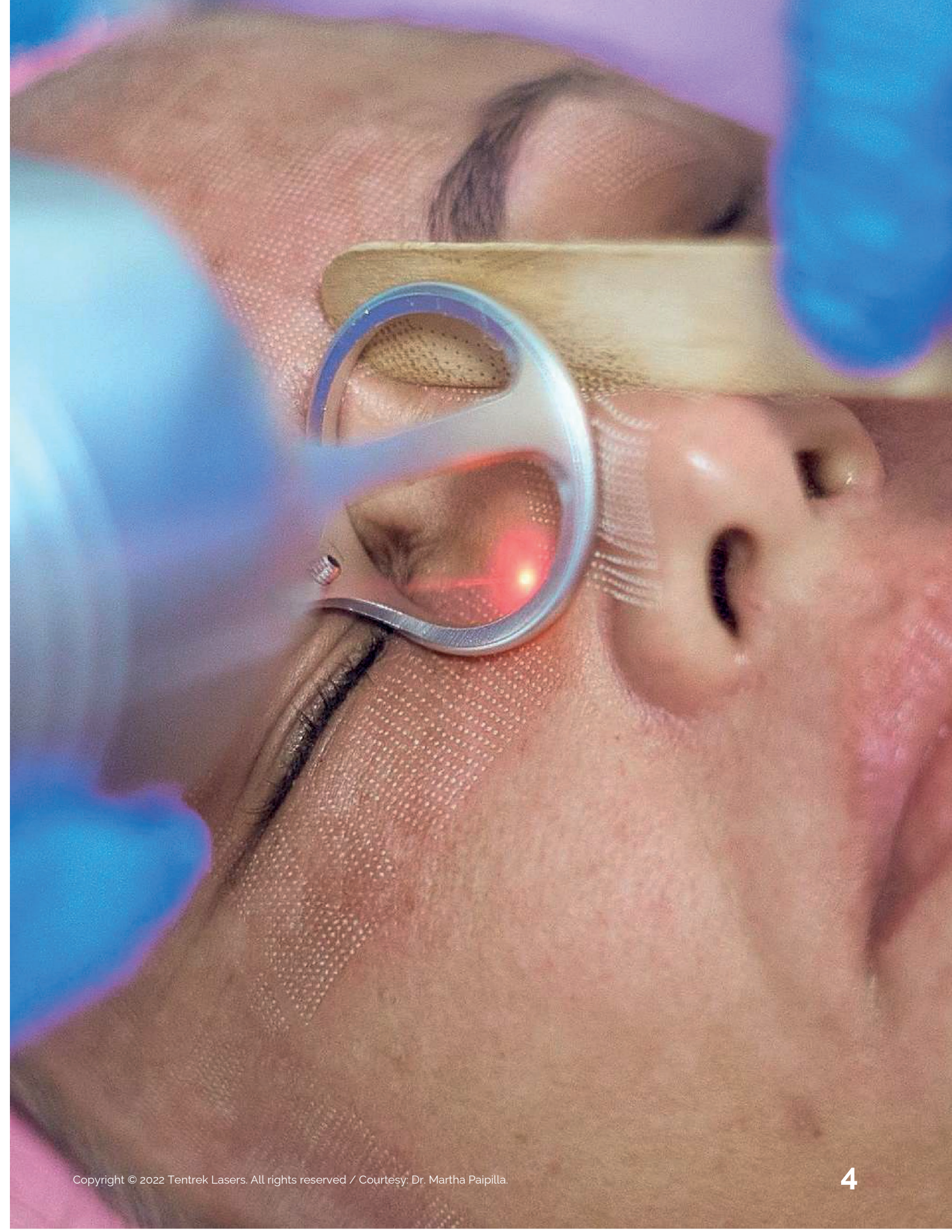
iBlaze is a fractional CO₂ laser that **non-invasively rejuvenates** and **regenerates** the skin, offering natural results in patients of all skin types more quickly, minimizing risks, downtime and pain.

Its technology manages to replace damaged tissue through a **microscopic laser emission**, stimulating the dermis and massively regenerating **collagen** and **elastin**.

This regenerative process continues for up to **six months after treatment**, improving the surface of the skin.

iBlaze integrates unique and incomparable innovations, fulfilling the technological promise of the new era.

iBlaze



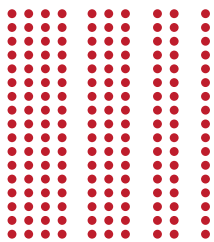
iBlaze the Protagonist

SOPHISTICATED, VERSATILE AND POWERFUL

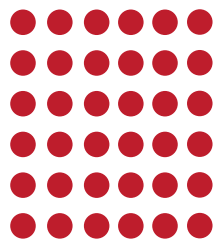
Using the powerful energy of the CO₂ laser, iBlaze integrates unique and incomparable innovations, such as its **Ultra Pulsed, Super Pulsed** and **Fractional Skin Tightening** technology, ideal for treating: **superficial, medium** and **deep expression lines, blemishes, flaccidity** and **scars**.

SoftSCANNER

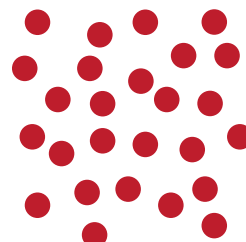
Technology that allows the iBlaze to perform multiple treatment modes, from the most superficial ablation to deep fractional ablation.



Array



Grid



Random



DDP Tech

Depth and Deep Pulses

Ability to control the depth of the pulse according to the patient's needs. Ideal for facial **rejuvenation**, **non-surgical blepharoplasty** and **solar lentigines**.

DC Tech

Density Control

Possibility to control the density of points per area, from **1** to **23**.

iBlaze

iBlaze
M X





Anchor VTech

Variable Pulse

Full parameter control for advanced users, manipulating the short pulse duration (μs) up to **40w/300MJ**.

Auto VRP

Vaginal Robotech Pulse

High-precision and parameterizable robotic system, allowing the vaginal piece to emit the laser in a controlled manner to the vaginal wall.

aze

Copyright © 2022 Tentrek Lasers. All rights reserved

7 0 0 0

General CO₂ Laser

POWERFUL CUTTING AND VAPORIZING PIECES

LaserKNIFER

iBlaze presents its **ultra-fast cutting** and **vaporization** technology, highly powerful, concentrating its energy of up to **40W** in one point.

CoagulaTECH

Unprecedented coagulation with **micro** and **millisecond** pulses to treat a wide spectrum of benign lesions: **papules, syringomas, rhinophymas, moles, angiomas** and **keratoses**.



Low Pain Mode

IBLAZE THE PROTAGONIST OF THE TREATMENTS

The LOW PAIN mode automatically limits the energy up to **4MJ**, being ideal for the treatment of **superficial solar lentigines, fine wrinkles, pores, quality, shine** and **epidermal texture**.

In addition, it does **NOT** produce prolonged erythema like other technologies and can be used in young patients.

Smart Protocols

iBlaze includes automatic programs in its software to more efficiently develop the treatments that the patient requires.

Its innovation allows procedures to be handled easily and quickly, reducing time and guaranteeing patient satisfaction.

TENTREK

LOW PAIN FRACTIONAL CO₂ LASER

SMART
PROTOCOL

MODE
SELECTION

SHAPE



SCAN AREA 14 X 15mm

DOTS 132

PATTERN



DEPTH LEVEL



ENERGY/DOT

4 mJ

P.DURATION

150 μ S

REPEAT
TIME

OFF

DENSITY
LEVEL

13 level

MEMORY



STAND BY

READY

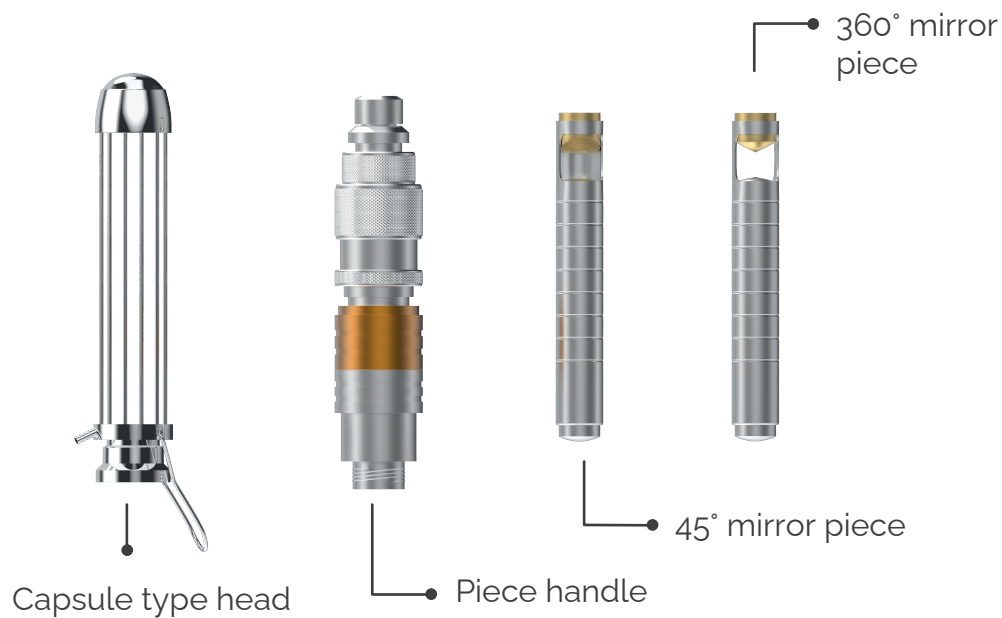


TENTREK
LASERS

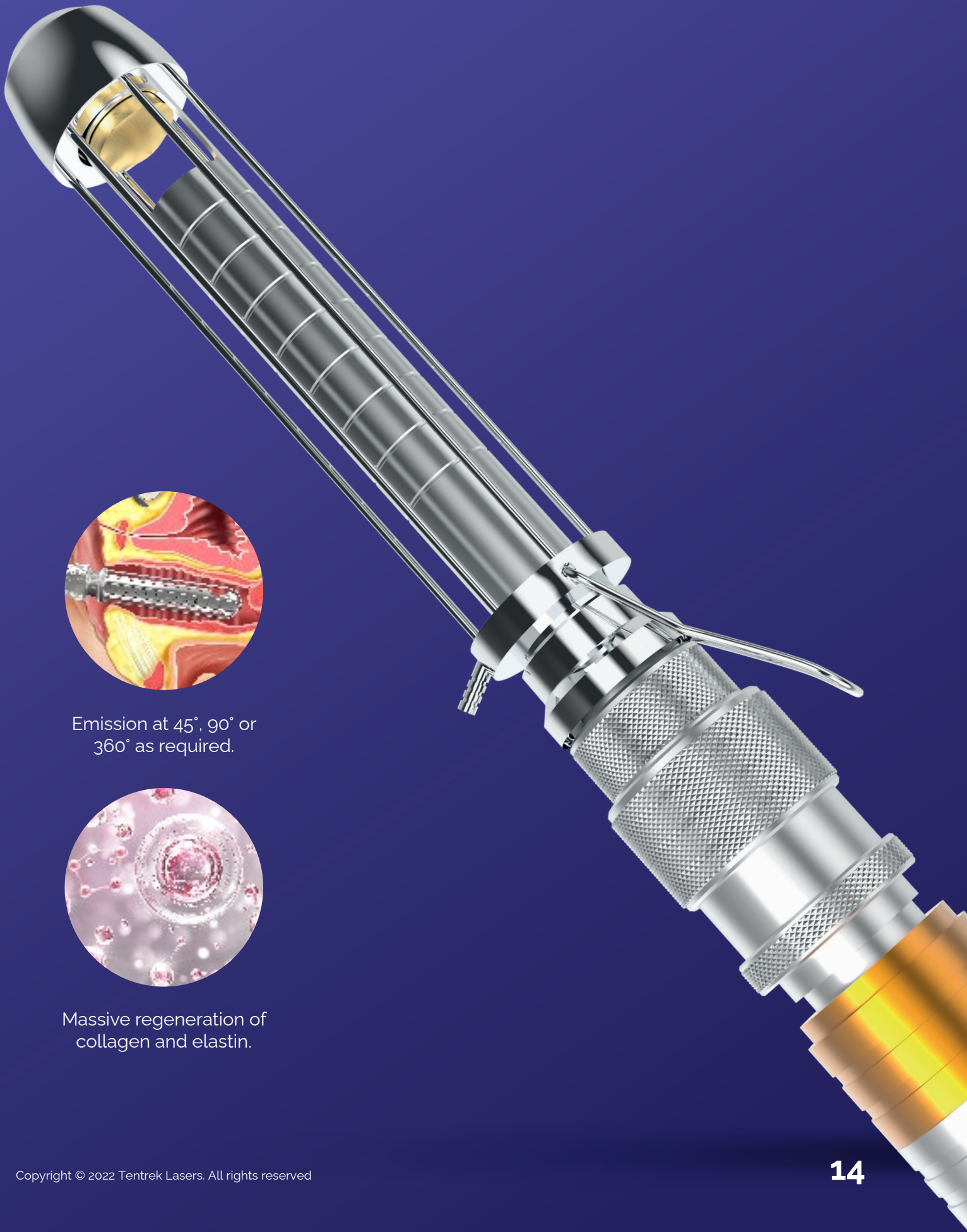
Gynematic MX7000

INTIMATE TREATMENTS FOR WOMEN

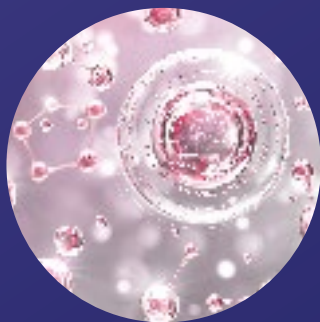
iBlaze integrates the most effective non-surgical solution to treat **vaginal atrophy**, thanks to its handpiece with a mirror through which it reflects the laser light towards the vaginal wall at **45°**, **90°** and **360°**, improving: **urinary incontinence**, **vaginal dryness**, **narrowing of the canal**, **prolapse** and **general appearance of the genitalia**.



With the cutting and vaporizing parts, iBlaze allows for **labiaplasty** procedures to remove excess skin from the inner or outer lip of the vulva.



Emission at 45°, 90° or
360° as required.



Massive regeneration of
collagen and elastin.

Clinical Cases

Learn about some of the results with iBlaze:



SCAR

Courtesy: Dr. Tulia Copete



ACNE SCAR

Courtesy: Dr. Rodrigo Caicedo v



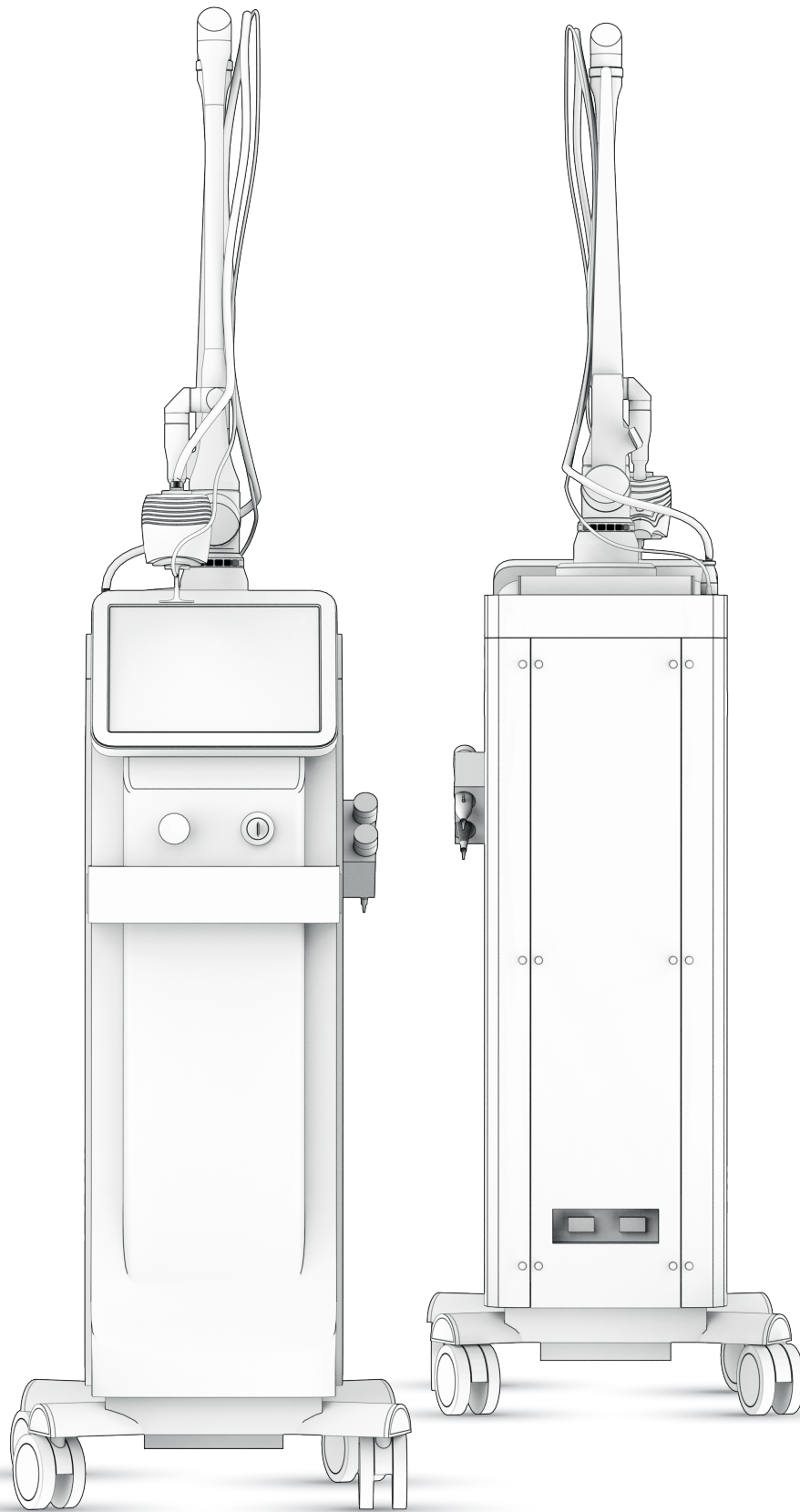
PIGMENTARY LESIONS
Courtesy: Dr. Rodrigo Caicedo



MOLE REMOVAL
Courtesy: Dr. Iván Diazgranados



STRETCH MARKS
Courtesy: Dr. Marcela Lema



— Data Sheet

General	CO2 laser
Wavelength	10.600nm
Laser power	1-40W
Density level	1-23 (x, y line); 9 - 4489 dots
Operation mode	FX mode, CW mode, Ultra pulse, Super pulse, Normal pulse, Low pain mode
Beam patterns	Array, grid, random
Beam scan size	2x2mm - 20x20mm
Depth level	1-5mm
Repeat time	0,5-2,5ms
Electrical requirements	110V, AC 50/60Hz
Physical dimensions	1240x430x480mm
Weight	45kg / 100lb

iBlaze

M X 7 0 0 0



iBlaze
M X 7 0 0 0

Registro sanitario:
2015EBC-0013450
Resolución:
No. 2015030673

www.tentrekusa.com



@tentreklasers



Rv 01.2024