

iBlaze

M X 7 0 0 0



Revolutionary CO2 fractional laser

REVIVE

POWERED BY  TENTREK

iBlaze _____
CO2 FRACTIONAL LASER

**Intelligence and
versatility in one
single platform.**

www.tentrekusa.com

www.reviveregenerative.com

REVIVE
POWERED BY  **TENTREK**

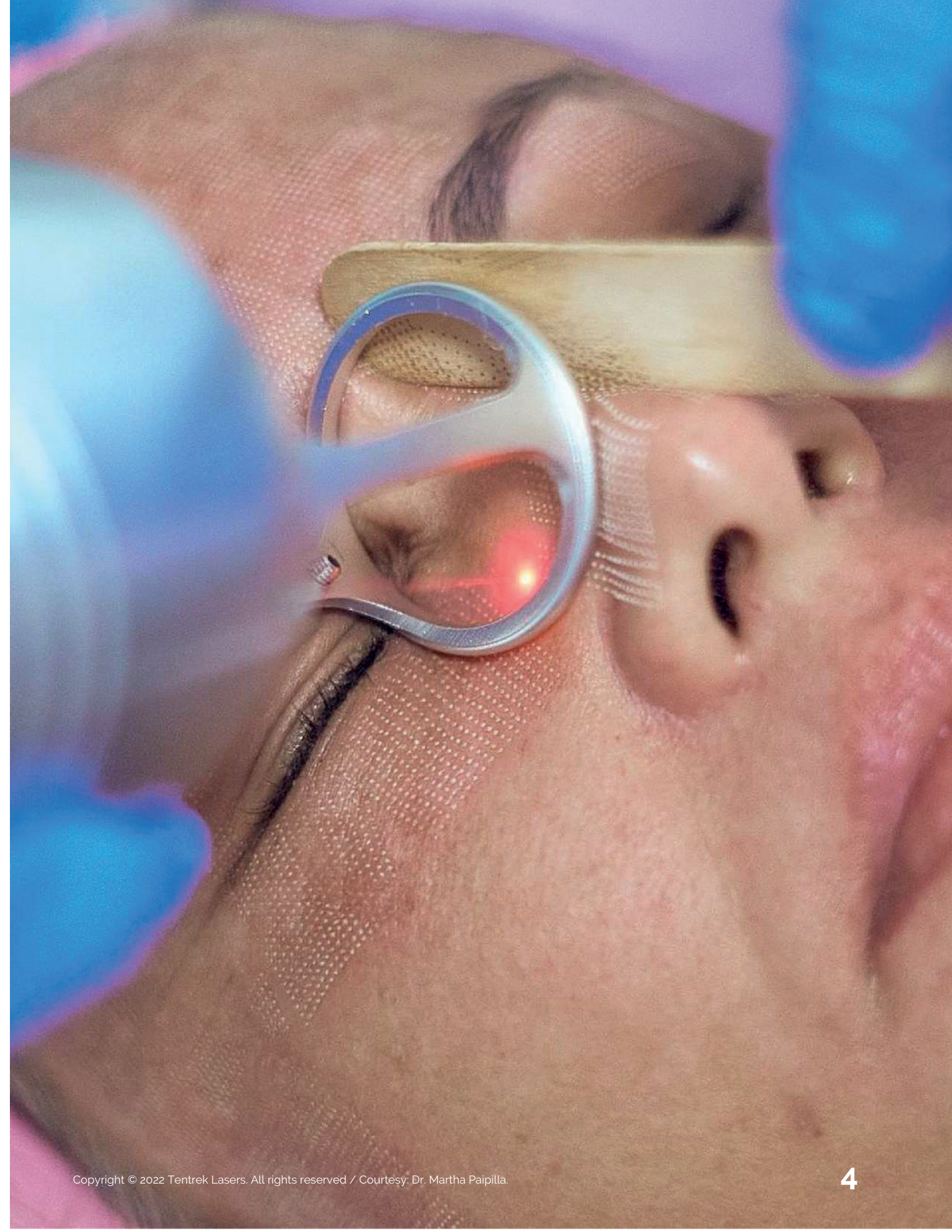
Unparalleled precision and medical innovation

iBlaze is a fractional CO₂ laser system indicated for ablative skin resurfacing in dermatology, including the treatment of It delivers fractional laser energy to the skin, helping improve its surface appearance through controlled ablation.

This system is designed for dermatological procedures requiring precision in treating textural skin irregularities.

iBlaze integrates unique and incomparable innovations, fulfilling the technological promise of the new era.

iBlaze

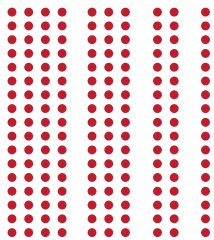


iBlaze the Protagonist

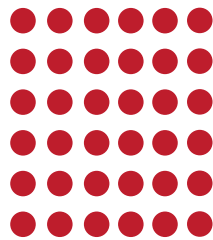
SOPHISTICATED, VERSATILE AND POWERFUL

SoftSCANNER

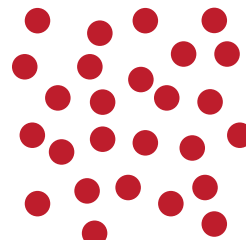
iBlaze offers advanced energy delivery settings designed for dermatological ablative procedures, from superficial skin resurfacing to deeper fractional ablation.



Array



Grid



Random



DDP Tech

Depth and Deep Pulses

The system offers precise control over pulse depth, supporting fractional ablative skin resurfacing treatments in dermatology. Its adjustable settings allow practitioners to customize procedures based on each patient's skin type and clinical needs, ensuring effective results with greater safety and flexibility.

DC Tech

Density Control

Possibility to control the density of points per area, from **1** to **23**.

iBlaze





Anchor VTech

Variable Pulse

Full parameter control for advanced users, allowing adjustment of short pulse duration (μs) up to **40W / 300mJ**.



General CO₂ Laser

POWERFUL CUTTING AND VAPORIZING HANDPIECES

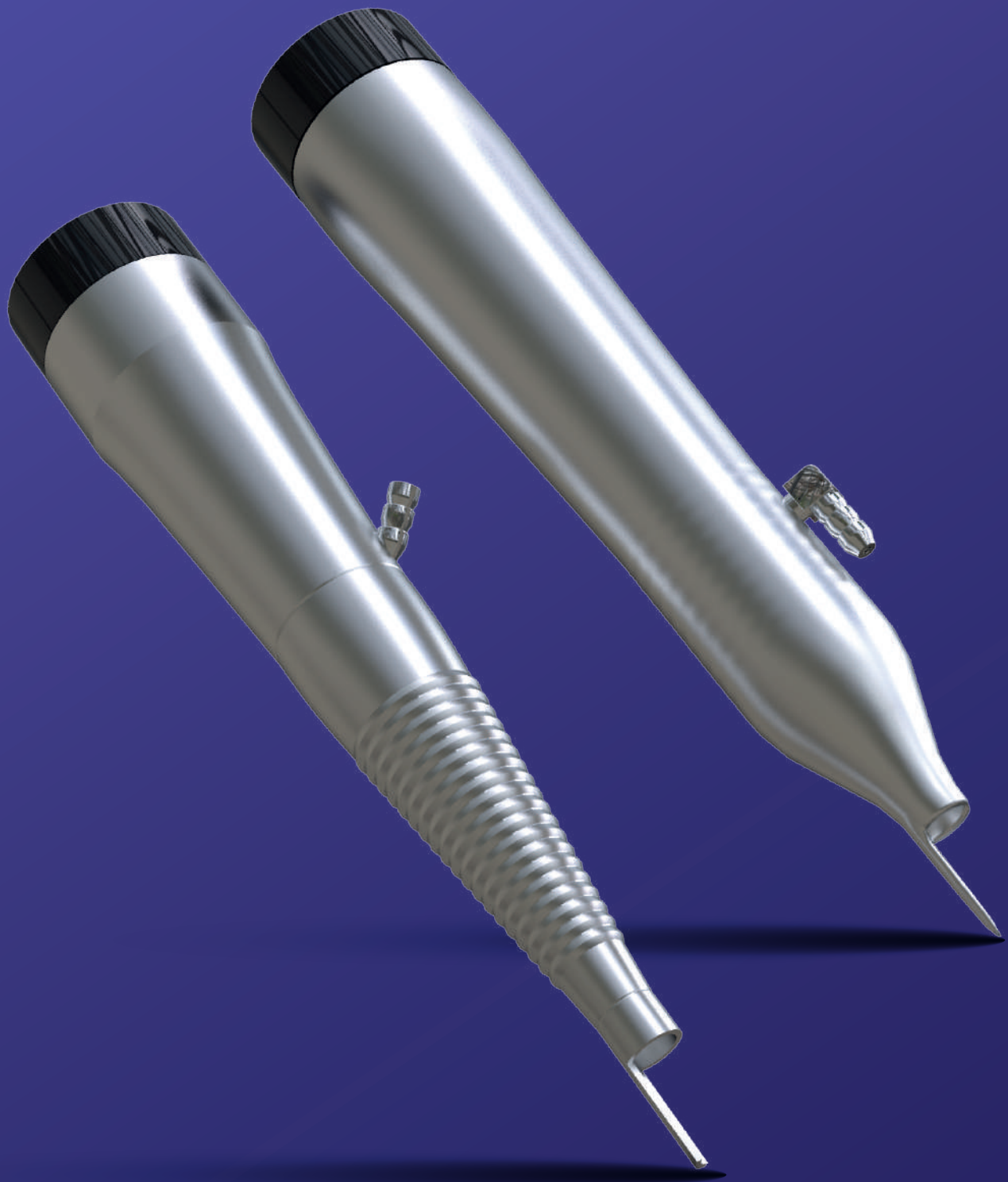
LaserKNIFER

iBlaze features precision CO₂ laser technology for cutting and vaporization of soft tissues, with energy delivery of up to 40W concentrated in a single spot.

These functions are designed for use in general, plastic, dermatological, neurosurgical and podiatric procedures.

CoagulaTECH

iBlaze offers precise energy delivery using micro and millisecond pulses for soft tissue coagulation in dermatology, plastic and general surgery, neurosurgery, and podiatry.



Low Pain Mode

OPTIMIZED ENERGY DELIVERY FOR MINIMAL DISCOMFORT

Energy-limiting mode for controlled treatment depth.

The system can operate at lower energy levels (e.g., up to 4 mJ) for ablative skin resurfacing procedures in dermatology, including the treatment of fine lines and wrinkles, helping improve the skin surface in selected cases.

Smart Protocols

iBlaze includes integrated software with predefined parameter settings to assist trained professionals in configuring laser treatments based on intended use.

Its user interface is designed to support procedural planning and workflow efficiency in approved surgical and dermatological applications.

TENTREK LOW PAIN FRACTIONAL CO₂ LASER

SMART PROTOCOL MODE SELECTION

SHAPE: [Grid] [Hex] [Triangle] [Circle]

SCAN AREA: 14 X 15mm
DOTS: 132

PATTERN: [Array] [Grid] [Random]

DEPTH LEVEL: [1] [2] [3] [4] [5]

ENERGY/DOT: 4 mJ
P.DURATION: 150 μs

REPEAT TIME: OFF

DENSITY LEVEL: 13 level

MEMORY [Speaker] [Refresh] [Battery]

STAND BY READY

REVIVE

Clinical Cases

Learn about some of the results with iBlaze:



SKIN RESURFACING

Courtesy: Dr. Iván Diazgranados



SKIN RESURFACING

Courtesy: Dr. Rodrigo Caicedo



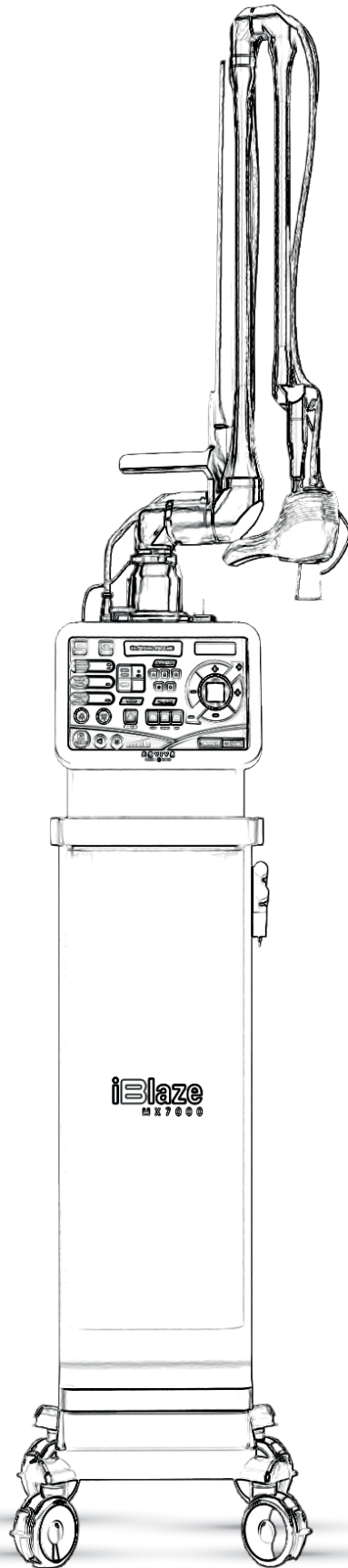
SKIN RESURFACING
Courtesy: Dr. Rodrigo Caicedo



MOLE REMOVAL
Courtesy: Dr. Iván Diazgranados



SKIN RESURFACING
Courtesy: Dr. Rodrigo Caicedo



iBlaze

— Data Sheet

General	CO2 laser
Wavelength	10.600nm
Laser power	1-40W
Density level	1-23 (x, y line); 9 - 4489 dots
Operation mode	CW / Normal Pulse/ Super Pulse Super Pulse Continuous / Ultra Pulse Smart Protocol (General Surgery)
Beam patterns	Array, grid, random
Beam scan size	2x2mm - 20x20mm
Depth level	1-5mm
Repeat time	Off, 0.5, 1, 1.5, 2, 2.5ms
Electrical requirements	110V, AC 50/60Hz
Physical dimensions	15.75" W x 18.90"x 41.54" H
Weight	52kg / 114.64lb

iBlaze

MX7000



REVIVE
POWERED BY  TENTREK

